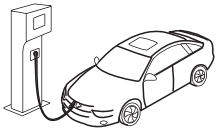




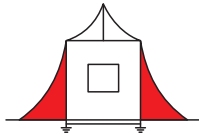
AC POWER

电源防起火开路失效防护方案

Fail-safe protecting solutions of power fireproofing



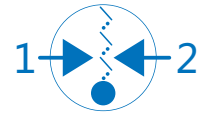
Charging stations



LPZ0_B-3



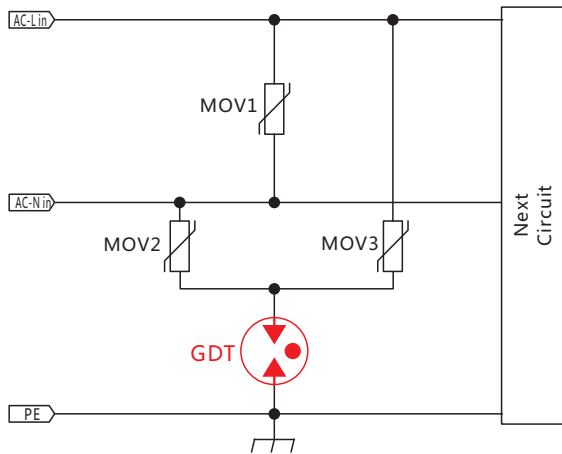
BGO6000A05-LC2



1.2/50-8/20 μ s 10KV-5KA
AC 1A-30A Failsafe $V_{BR} \geq 400V$

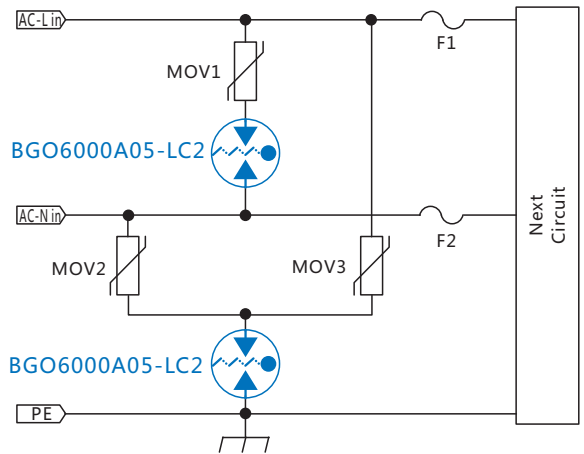
行业传统方案

Industrial traditional solutions



槟城创新方案

Bencent's innovative solutions



DC Breakdown Voltage (V_{BR})
100V/s
(V)

600

Tolerance of V_{BR}
(V)

≥ 400

Impulse Spark-over Voltage
1KV/ μ s
(V)

≤ 1500

Arc Voltage (V_a)
(V)@1A

/

Impulse Discharge Current
8/20 μ s
(KA)

5

Capacitance Co(pF)
0.5VDC@1MHz

≤ 1.5

Size
L*W*H
(mm)

$\Phi 8.0 \times 7.0$



深圳市槟城电子有限公司
Shenzhen Bencent Electronics Co.,Ltd.
+86-755-26515027/26515060-808
www.bencent.com.cn