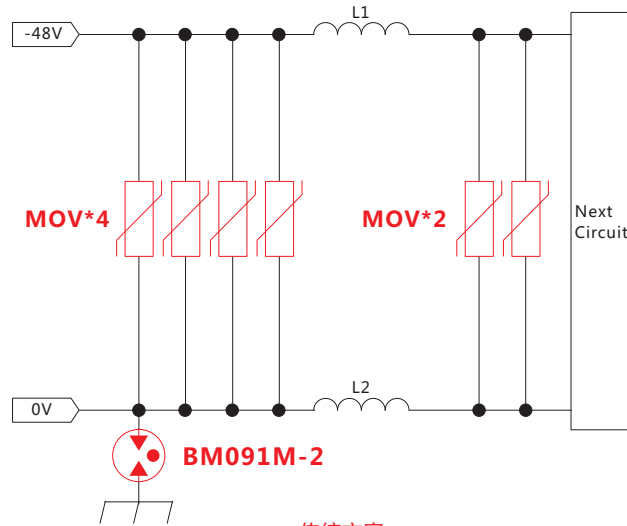


DC-48V无续流GDT

Stacked GDT for -48VDC Power port

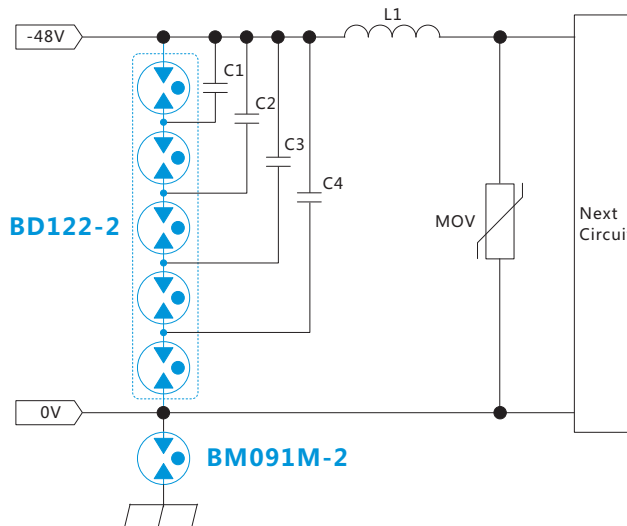
方案图/Solution



传统方案



槟城电子创新方案



防护等级/Surge level

- ITU-T K56
- 8/20 μ s
- CM/DM:20KA

优势/Features:

- 高达20KA浪涌性能，占用空间极小；
Up to 20KA Surge Capability in Minimal Footprint
- 高可靠性；
High reliability
- 方形端子表面贴装。
Surface mount form factor with square terminals

产品参数/Datasheet

	Part Number	DC Breakdown Voltage (V_{BR}) 100V/s (V)	Tolerance of V_{BR} (V)	Impulse Spark-over Voltage 1KV/ μ s (V)	Arc Voltage (V_a) (V)@1A	Impulse Discharge Current 8/20 μ s (KA)	Insulation Resistance @DC (G Ω) (V)	Capacitance Co(pF) 0.5VDC@1MHz	Size L*W*H (mm)
	BD122-2	1200	700-1200	\leq 2300	\geq 60@50A	20	\geq 1.5 100	\leq 1	16.5x9.5x8.3