

Features

- High Current Handling Capability 40,000A @ 8/20 μ s
- Low Capacitance and Insertion Loss
- Quick Response and Long Service Life
- Moisture sensitivity level: Level 1

Exterior




Application information

- AC 90~264V POWER

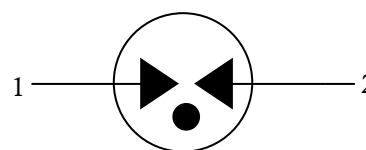
Package (Top View)



Agency Approvals

Icon	Description
RoHS	Compliance with 2011/65/EU
HF	Compliance with IEC61249-2-21:2003
	Mean lead free

Schematic Symbol



Electrical Parameter

DC Breakdown Voltage ¹⁾²⁾	100V/s	640-960	V
Impulse Spark-over Voltage	At 1kV/ μ s	for 99 % of measured values \leq 1400	V
	At 1kV/ μ s	Typical values of distribution \leq 1300	V
Max. continuous operating voltage	U_C	255	V _{rms}
Nominal discharge current	8/20 μ s, \pm 10times	$I_n=20,000$	A
Maximum discharge current	8/20 μ s, \pm 1times	$I_{max}=40,000$	A
Follow current at 50/60 Hz		255V, 100 A _{rms}	
TOV test		1200V, 300A, 200ms	
Arc Voltage	At 1A	\sim 24	V
Insulation Resistance	DC=100V	\geq 1	G Ω
Capacitance at 1MHz	VDC=0.5V	\leq 4	pF
Weight		\sim 5	g
Operating And Storage Temperature		-40-90	$^{\circ}$ C

1) At delivery AQL 0.65 level II GB/T 2828.1-2003

2) In ionized mode

3) Terms and waveforms in accordance with GB/T 18802.311-2007

Gas Discharge Tube

Part Numbering System

B UB 801 M - 01
 (1) (2) (3) (4) (5)

(1) Bencent

 (2) UB means Surge Rating 8/20 μ s@ I_{max}=40KA

 (3) DC Breakdown Voltage, e.g., 801=80 \times 10¹V=800V

(4) Tolerance of DC Breakdown Voltage, M=+-20%,

N=+-30%,the Specific tolerance is decided by the table of

“Electrical Parameter”

(5)“-01” means the special structure of this type.

Product Characteristics

Lead Material	Copper
Body Material	Ceramics
Terminal Finish	100% Matte-Tin Plated

Environmental Reliability Characteristics

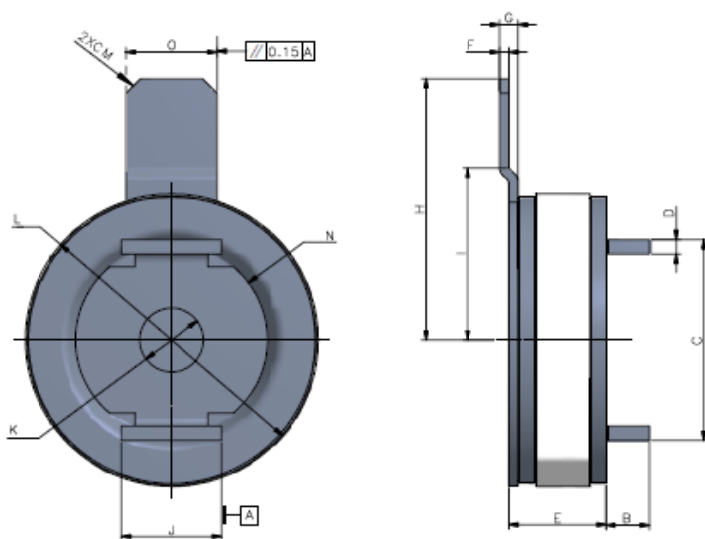
Testing items	Technical standards
High Temperature Storage Test	Temperature: 90°C Time:2H
Low Temperature Storage Test	Temperature: -40°C Time:2H
Vibration	Frequency: 10-500Hz Amplitude: 0.15mm Time: 45min
Resistance of soldering heat	Temperature: 260 \pm 5°C Time of dip soldering: 10s, 1time

Note: Up-screen program can be specified by customer’s request via contacting Bencent service

Solderability Test

Solderability	Solder Pot Temperature:	245°C \pm 5°C
	Solder Dwell Time:	4-6 seconds

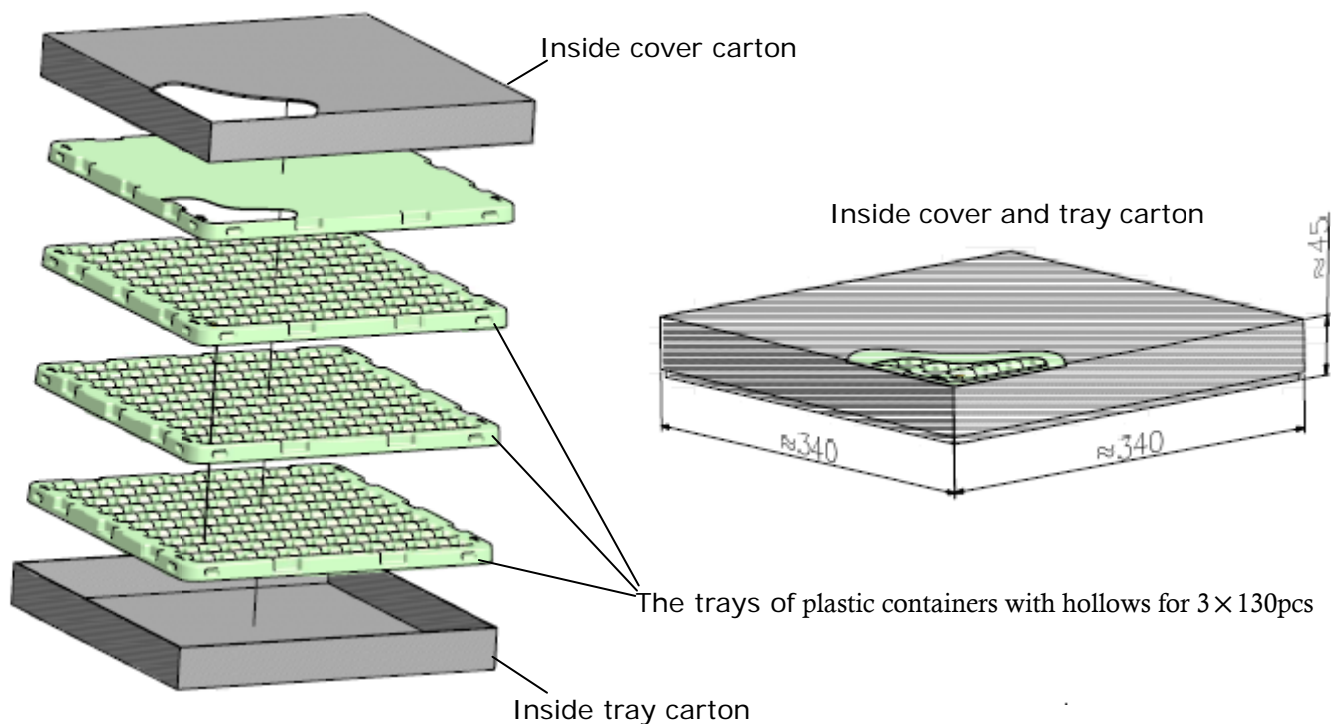
Product Dimensions



REF	mm	inch
B	2.5 ⁰ _{-0.2}	0.098 ⁰ _{-0.008}
C	11 \pm 0.3	0.433 \pm 0.012
D	0.8	0.032
E	5.1	0.200
F	0.5	0.020
G	1	0.039
H	14.3 \pm 0.3	0.563 \pm 0.012
I	9.4	0.370
J	5.5	0.217
L	Φ 16	Φ 0.630
M	0.8	0.031
N	Φ 10.5	Φ 0.413
O	5	0.200

PACKAGE BOX INFORMATION

Outline	Plastic containers (PCS)	Inside Cover and tray carton (PCS)	Outside carton (PCS)	Carton Size(mm)		
				L	W	H
Box	130	390	1560	360	360	220



Remarks: The outside carton has four inside cover and tray cartons for 4 x 390pcs